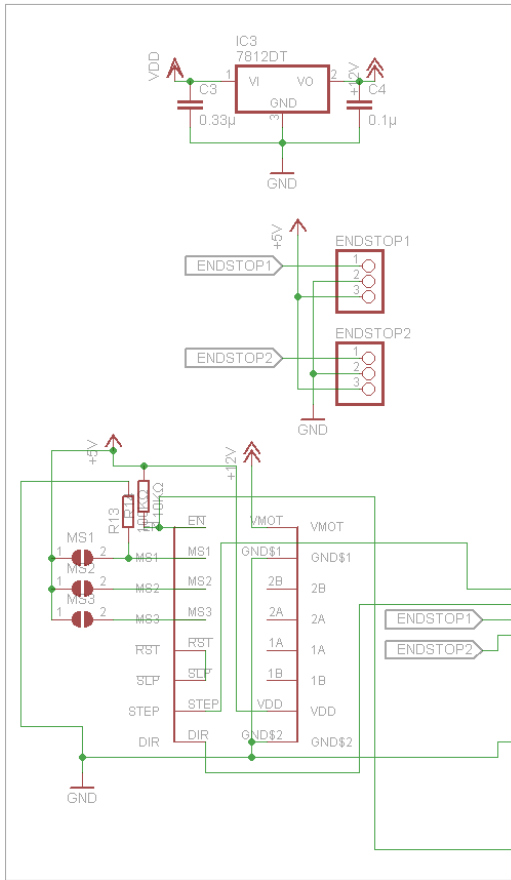
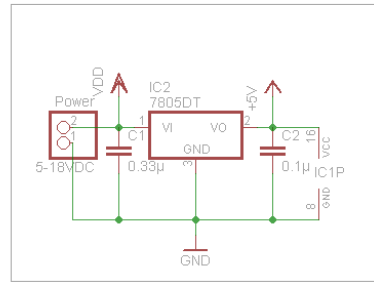


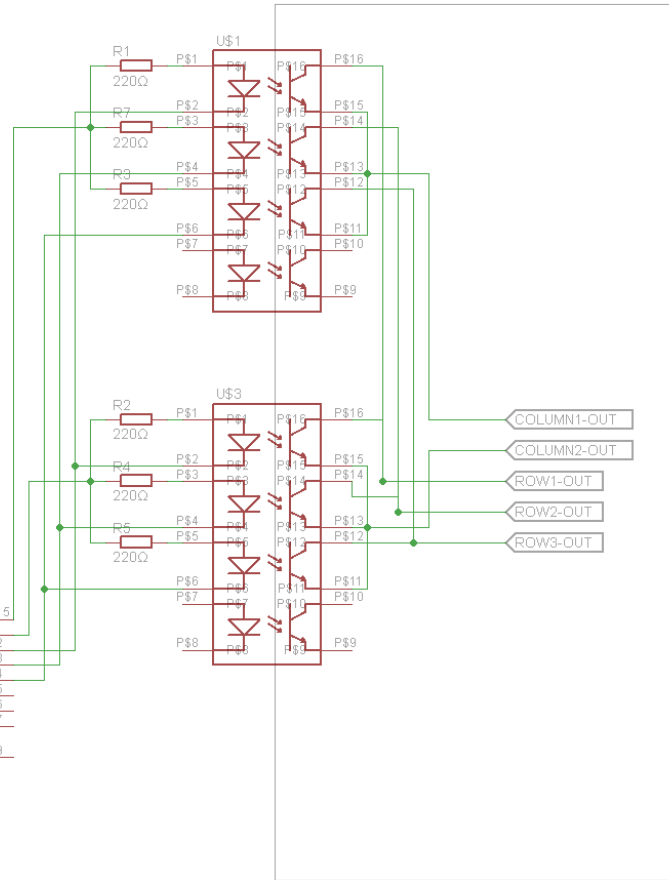
### Motor drive and position sensing



### Linear Voltage Reg



### Isolated Matrix Output



### Keyboard Input

